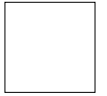
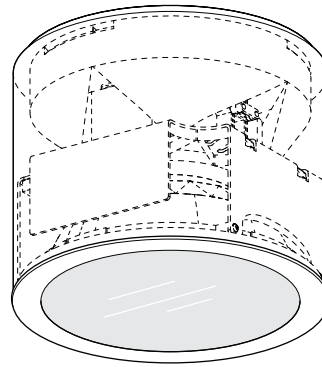


PHILIPS

GreenSpace

Surface mounted

Surface mounted (C)



LIFE
L80B50
50 Khrs

220V
240V

50Hz
60Hz



LEDs


IP54

IK06

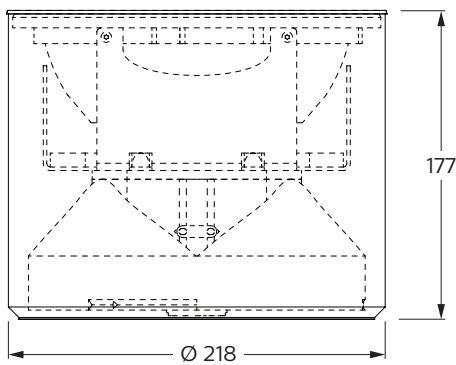
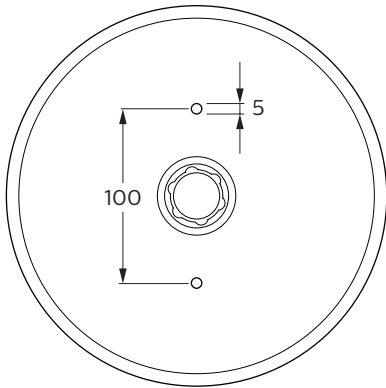
GLOW
WIRE
650 °C

Max.
35 °C
Min.
-15 °C



	Lumen (lm)	CCT (K)	Power (W)	Driver	UGR	Through-wiring	
DN470C	2000	830	16.4	PSU	22	Yes	1.3
			16.2	DIA-VLC			
		840	16.4	PSU			
DN471C	2000	830	16.2	DIA-VLC	19	Yes	1.3
			16.4	PSU			
		840	16.2	DIA-VLC			

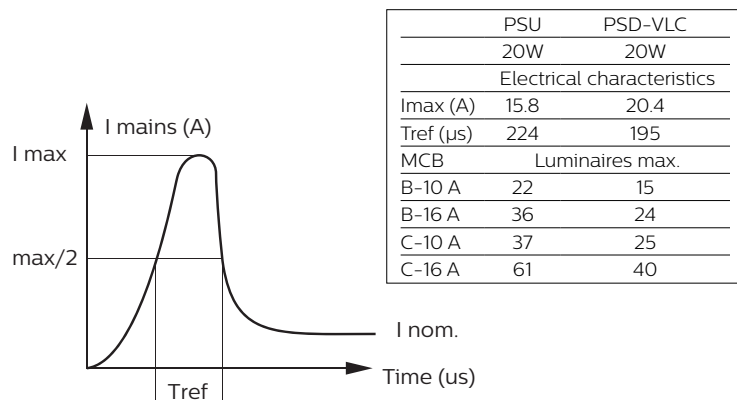
Dimensions in mm

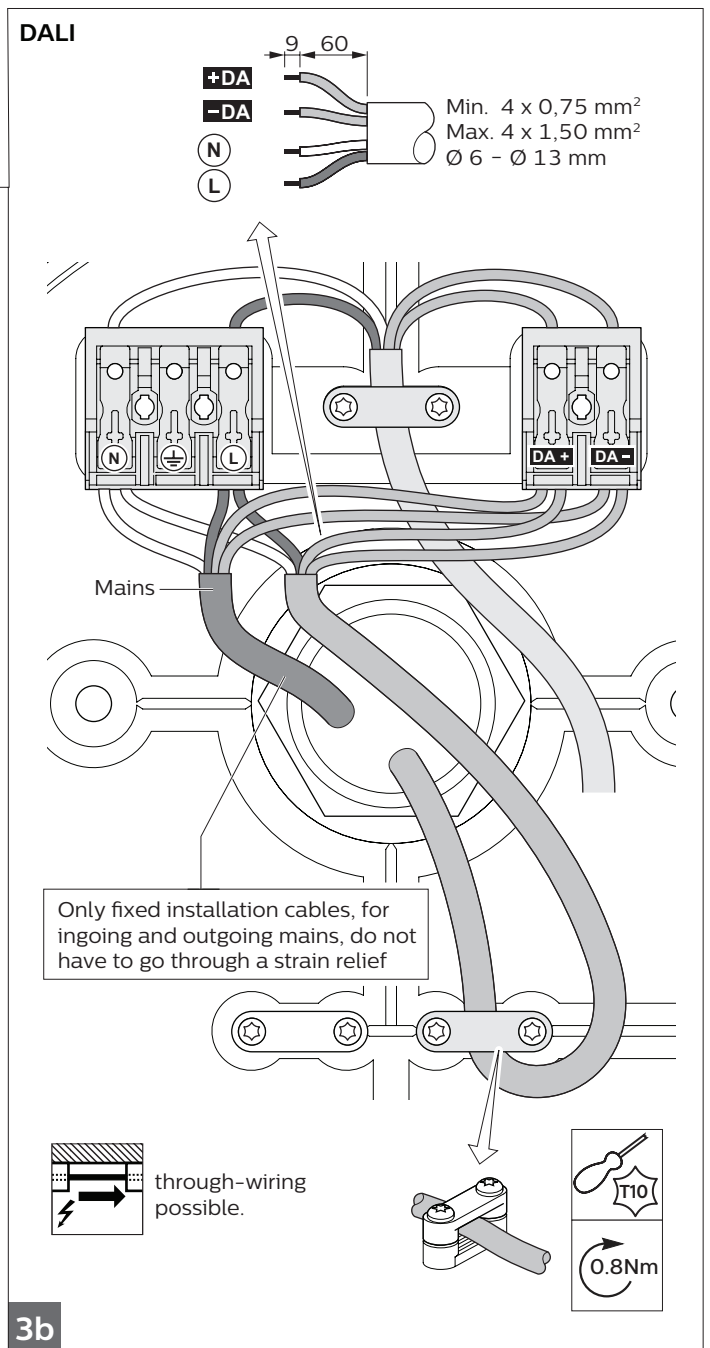
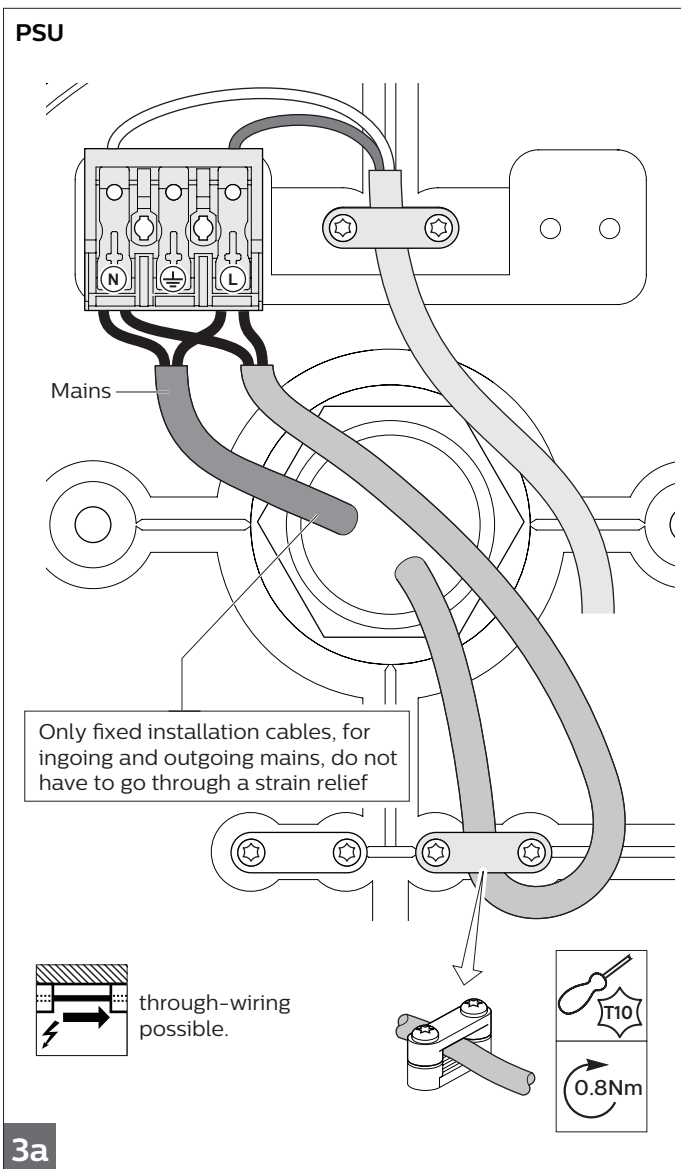
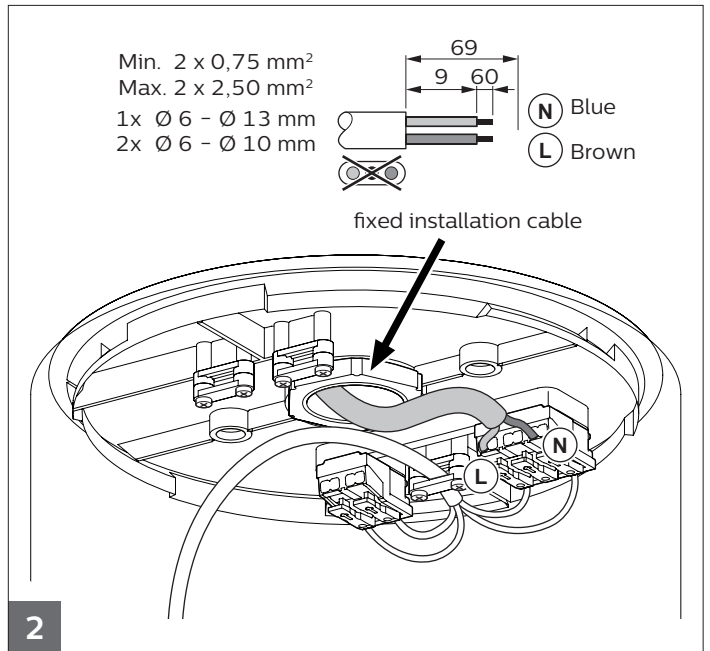
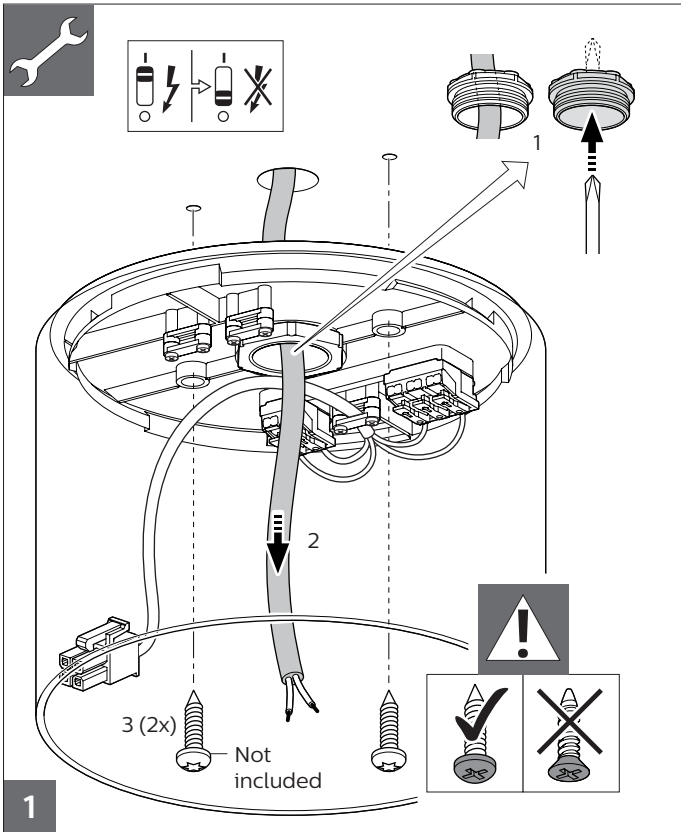


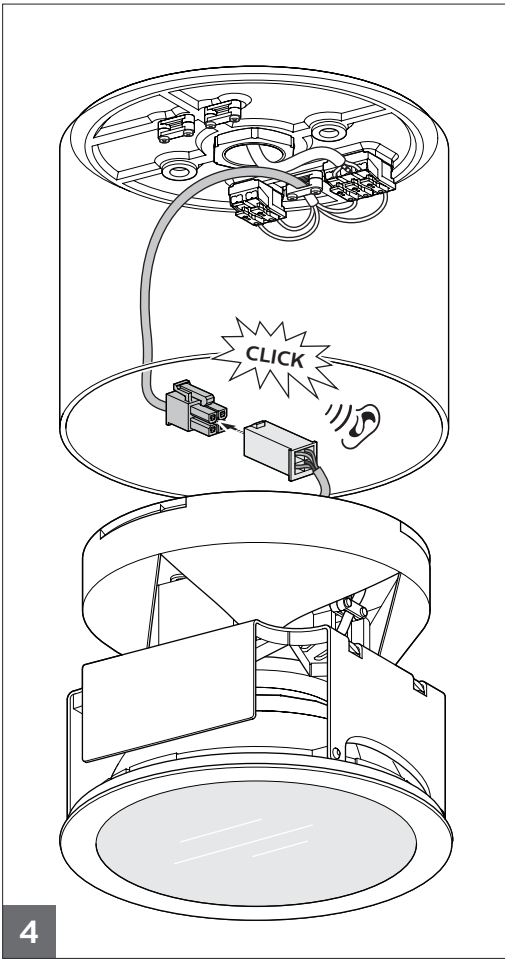
ATTENTION
OBSERVE PRECAUTIONS
FOR HANDLING
ELECTROSTATIC
SENSITIVE
DEVICES

- The luminaire shall be installed by a qualified electrician and wired in accordance with the latest IEE electrical regulations or the national requirements.
- This luminaire is not suitable for use as emergency lighting.
- The light source of this luminaire is not replaceable; when the light source reaches its end of life the whole luminaire shall be replaced.
- Clean with dry cloth.

Inrush current









© 2020 Signify Holding.

All rights reserved. This document contains information relating to the product portfolio of Signify which information may be subject to change. No representation or warranty as to the accuracy or completeness of the information included herein is given and any liability for any action in reliance thereon is disclaimed. The information presented in this document is not intended as any commercial offer and does not form part of any quotation or contract. Philips and the Philips Shield Emblem are registered trademarks of Koninklijke Philips N.V.. All other trademarks are owned by Signify Holding or their respective owners.

Signify Holding.
The Netherlands