



TUV T5 - Small diameter lamps for professional applications

UVA

TUV T5 lamps are single- or double-ended UVC (germicidal) lamps used in professional water and air disinfection units. The small 16 mm diameter of the lamp allows for a small system design and design flexibility. TUV T5 lamps offer constant UV output over their complete lifetime, for maximum security of disinfection and high system efficacy.

Avantages

- Security of effective disinfection over the useful lifetime of the lamp
- High system efficacy because it is not required to over-design the purification system to maintain effectiveness of disinfection
- Good environmental choice because of lowest amount of mercury

Fonctions

- Short-wave UV radiation with a peak at 253.7 nm (UVC) for disinfection
- Small diameter
- Protective inside coating ensures almost constant UV output over the complete lifetime of the lamp
- Lamp glass filters out the 185 nm ozone-forming radiation
- High temperature and UV-resistant lamp bases
- High Output versions available for optimum UVC output per lamp length, allowing for further reduction of system size
- Warning sign on lamp indicates that the lamp radiates UVC

Application

- Deactivation of bacteria, viruses and other micro-organisms
- Air treatment systems
- Industrial water disinfection equipment, e.g. for food & beverage industry
- Small municipal water treatment systems
- Swimming pool units
- Residential drinking water units

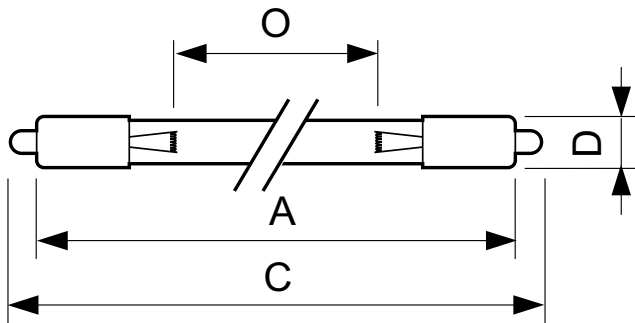
Mises en garde et sécurité

• Un bris de lampe est très peu susceptible d'influer sur votre santé. Si une lampe se brise, aérez la pièce pendant 30 minutes et retirez les morceaux, de préférence avec des gants. Placez-les dans un sac en plastique scellé et portez-le à votre site de gestion des déchets en vue de son recyclage. Évitez d'utiliser un aspirateur.

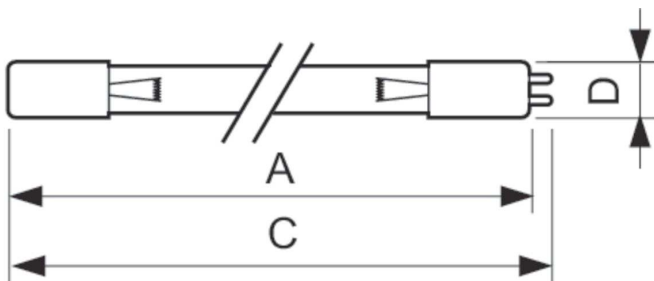
Versions



Schéma dimensionnel



Product	D (max)	O	C (max)	A (max)
TUV 64T5 HE SP UNP/32	18.6 mm	1473 mm	1575.1 mm	1556.6 mm
TUV 36T5 SP NO/32	18.6 mm	762 mm	863.9 mm	845.4 mm



Product	D (max)	C (max)	A (max)
TUV 64T5 HO 4P SE UNP/32	19.3 mm	1564.5 mm	1555.2 mm
TUV 36T5 HO 4P SE UNP/32	19.3 mm	853 mm	845.4 mm
TUV 36T5 HE 4P SE UNP/32	19.3 mm	853 mm	845.4 mm

Caractéristiques générales

Durée de vie utile (nom.)	9000 h
Application principale	Désinfection

Photométries et Colorimétries

Code couleur	TUV
Couleur	-
Dépréciation du flux à la durée de vie utile	15 %

Matériaux et finitions

Forme de l'ampoule	T16
--------------------	-----

Normes et recommandations

Order Code	Full Product Name	Taux de mercure (Hg) (nom.)
64036999	TUV 36T5 SP NO/32	3.0 mg
64079699	TUV 64T5 HE SP UNP/32	3.0 mg
64231899	TUV 36T5 HE 4P SE UNP/32	3.0 mg

Order Code	Full Product Name	Taux de mercure (Hg) (nom.)
26131199	TUV 64T5 HO 4P SE UNP/32	5.5 mg
86970899	TUV 36T5 HO 4P SE UNP/32	5.5 mg

Caractéristiques électriques

Order Code	Full Product Name	Courant lampe (nom.)	Tension (nom.)	Puissance (valeur nominale)
64036999	TUV 36T5 SP NO/32	0.425 A	94 V	40 W
64079699	TUV 64T5 HE SP UNP/32	0.425 A	176 V	75 W
64231899	TUV 36T5 HE 4P SE UNP/32	0.425 A	94 V	40 W

Order Code	Full Product Name	Courant lampe (nom.)	Tension (nom.)	Puissance (valeur nominale)
26131199	TUV 64T5 HO 4P SE UNP/32	0.8 A	175 V	145 W
86970899	TUV 36T5 HO 4P SE UNP/32	0.8 A	97 V	75 W

Caractéristiques générales

Order Code	Full Product Name	Culot	Description du système
64036999	TUV 36T5 SP NO/32	SINGLEPIN	Haute Efficacité
64079699	TUV 64T5 HE SP UNP/32	SINGLEPIN	Haute Efficacité
64231899	TUV 36T5 HE 4P SE UNP/32	4PINSSINGLEENDED	Haute Efficacité

Order Code	Full Product Name	Culot	Description du système
26131199	TUV 64T5 HO 4P SE UNP/32	4PINSSINGLEENDED	Flux renforcé (HO)
86970899	TUV 36T5 HO 4P SE UNP/32	4PINSSINGLEENDED	Flux renforcé (HO)

Ultra-Violet (UV)

Order Code	Full Product Name	Rayonnement UV-C
64036999	TUV 36T5 SP NO/32	15 W
64079699	TUV 64T5 HE SP UNP/32	31 W
64231899	TUV 36T5 HE 4P SE UNP/32	15 W

Order Code	Full Product Name	Rayonnement UV-C
26131199	TUV 64T5 HO 4P SE UNP/32	48 W
86970899	TUV 36T5 HO 4P SE UNP/32	25 W

